

Model 27-100 Service Pedestal

Tescoflex Underground Service Distribution and Control

FEATURES / OPTIONS

Oven baked polyurethane powder coated finish for lasting durability

Available in aluminum, stainless steel and hot dipped galvanized

Durable all welded construction

UL approved copper cable bussing and control wiring

Vandal-proof doors with hasp stress rated to 2,000 lbs.

Factory wired and tested before shipment

100 or 200 Amp meter socket

Test Bypass

Maximum 28 1" Poles
(Includes main circuit breaker)

Metered and un-metered

Copper interior

P.E. Socket

Lighting contactors

Flashing beacon controls

Time clocks

Time delays

Transformers

Test switches



- Small, low profile and attractive with no exposed fasteners
- UL 508A industrial control panel label for service entrance equipment
- Available both un-metered and metered up to 200 Amps
- Meets EUSERC Requirements
- Self Contained

Tescoflex low-profile underground service distribution and control pedestals have become the standard for state, county, municipal, highway and public works departments throughout the country.

Our Tescoflex pedestals are constructed of the highest grade of material using our standard 12 gauge hot dipped galvanized steel, optional stainless steel, or aluminum. Our coatings will withstand the most stringent testing applied to outdoor enclosures and meet or exceed state specifications. The wide range of options we can provide will allow for maximum utilization of your space.

Tescoflex service pedestals have been widely accepted by the utility industry and are in use today for many applications such as street lighting, park lighting, tennis court lighting, irrigation and pump stations, to mention a few.

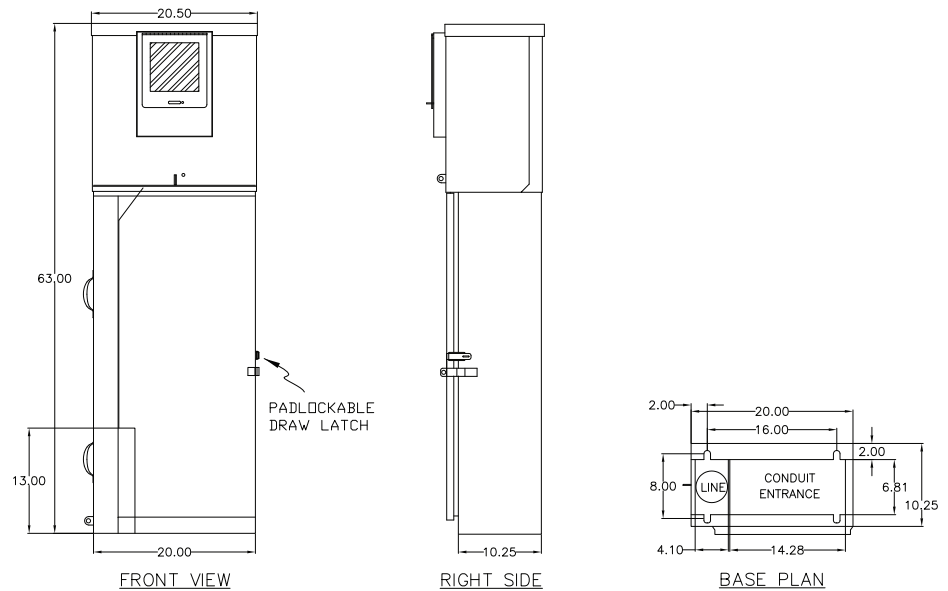
TESCO[®]
An Employee-Owned Company

Tesco Controls, Inc.
8440 Florin Road
Sacramento, CA 95828
Phone 916.395.8800
Fax 916.429.2817

Model 27-100 Service Pedestal Specification

Cabinet Fabrication

- Maximum external dimensions: 20" wide x 63" high by 10.25" deep.
- Cabinets are fabricated from 12 gauge hot dipped galvanized steel, 1/8" aluminum, or 304D stainless steel.
- Internal parts are fabricated from 14 gauge cold rolled steel.
- Fully welded construction, with welding material specifically designed for the material used.
- All fasteners, latches, and hardware are made of stainless steel, and all hinges are continuous interior piano style.
- There are no exposed nuts, bolts, screws, rivets or other fasteners on the exterior.
- Cabinet doors have 2,000 lb. stress rated hasps, welded to the cabinet and door.
- Cabinet has an enclosed swept pull section with removable step.
- Backpan is mounted on 4 welded 1/4" studs.
- Cabinets have fully framed side hinged outer doors with closed-cell Neoprene flange compressed gaskets.
- Base mounting detail is identical to existing cabinets for emergency replacement.



Power Distribution Panel

- Main breakers shall be 1, 2, or 3 pole.
- Provide separate metered main, lighting main & disconnects as required.
- All circuit breakers are installed in a vertical position, handle up for on, handle down for off.
- Circuit breakers are industrial grade, fully rated.
- All bussing is UL approved copper cable bussing, fully rated.
- Cable in / Cable out circuit breakers standard.

Deadfront Safety Door

- Distribution and control panel has a hinged deadfront panel with 1/4 turn latch and knurled knobs.
- Deadfront is hinged on the same side as the front door and opens a minimum of 120 degrees.

Control Compartment

- All components will match existing components in use for maintenance of spare parts and known reliability.
- The cabinet is completely pre-wired in the factory.
- Wiring will be to NEMA IIB standards showing connections to external equipment.
- All control wiring is 19 strand #12 or #14 AWG MTW.
- All terminals are permanently labeled.

Nameplates and Drawings

- The function of all circuit breakers, switches and other components as required shall be identified by laminated engraved plastic nameplates fastened with minimum of two 1/4" #4-40 machine screws
- Wiring schematics are via Computer Aided Drafting and include all external equipment and connections per NEMA IIB.
- As built factory drawings are enclosed in clear plastic and held inside the outer door by welded hooks.

For more information on any of our products or services please visit us on the Web at www.tescocontrols.com

TESCO[®]
An Employee-Owned Company

