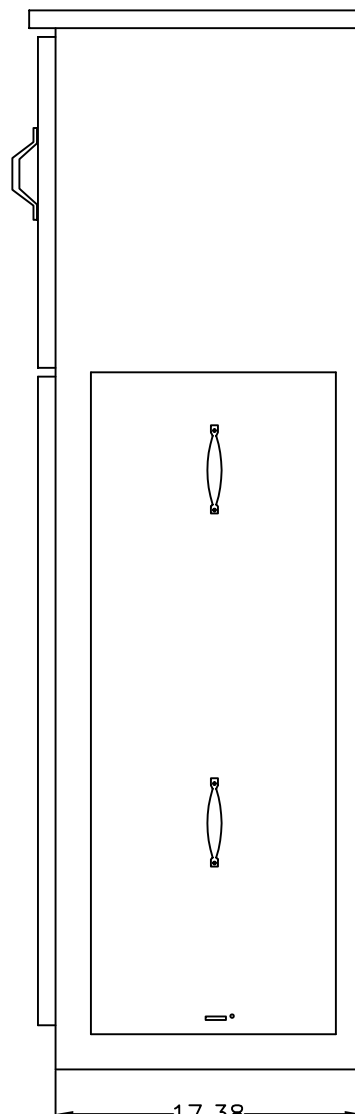
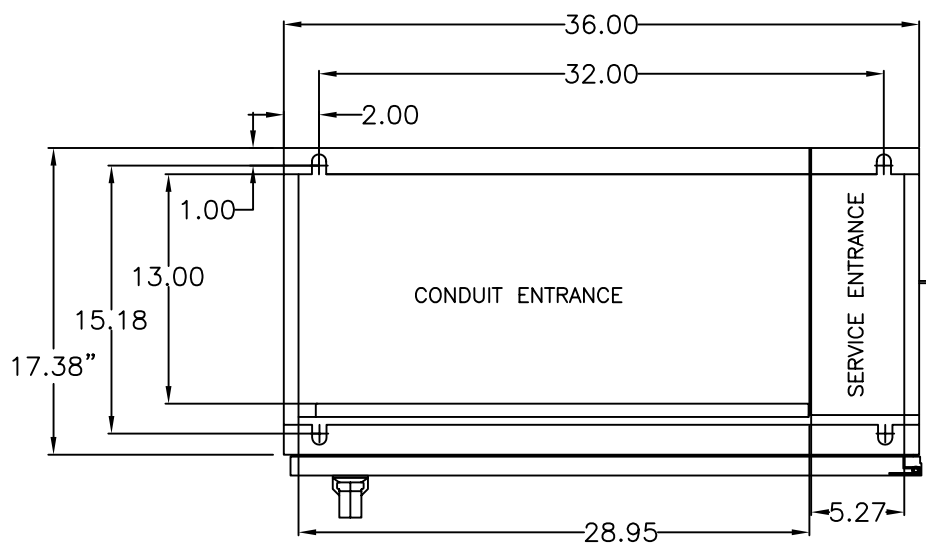


PANEL ELEVATION



RIGHT SIDE



BASE PLAN

REV	DATE	BY	DESCRIPTION

**TESCO**  
 CONTROLS INC.  
 (916) 395-8800  
 3409 52ND AVE.  
 SACRAMENTO, CA 95823

TESCO MODEL 24-200 ELEVATION & BASE DETAIL						
DATE	DESIGN	DRAWN	CHK'D BY	SHEET #	DRAWING #	
04/28/05		TL		1 OF 1	24-200	