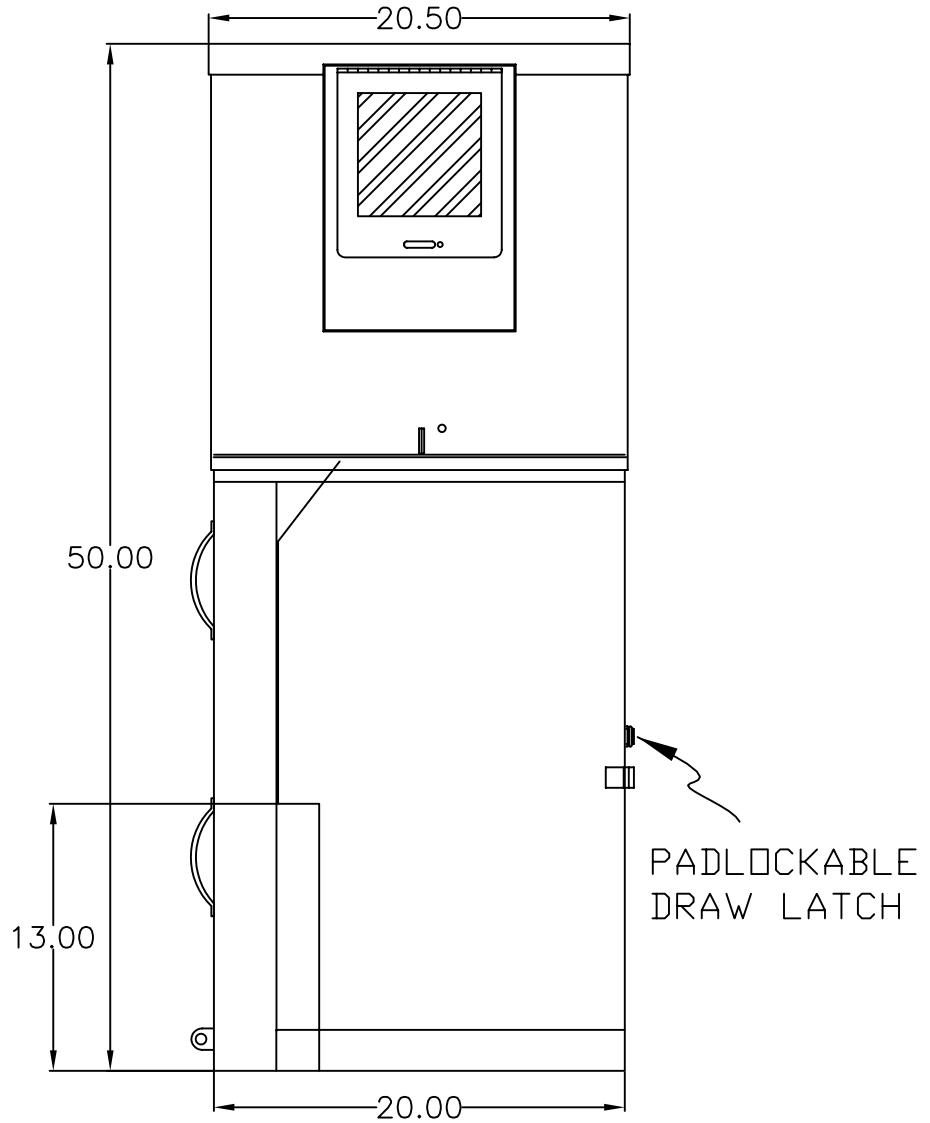
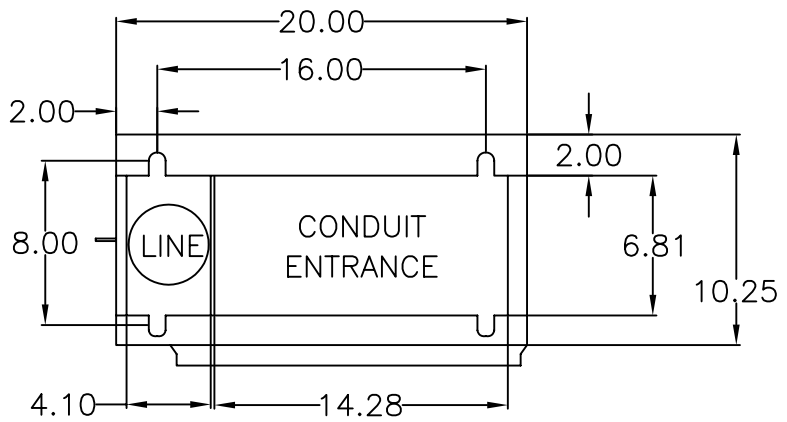


LEFT SIDE



FRONT VIEW



BASE PLAN

REV	DATE	BY	DESCRIPTION

TESCO
 CONTROLS INC.
 (916) 395-8800
 3409 52ND AVE.
 SACRAMENTO, CA 95823

TESCO MODEL 27-000
 ELEVATION & BASE DETAIL

DATE	DESIGN	DRAWN	CHK'D BY	SHEET #	DRAWING #
04/28/05		TL		1 OF 1	27-000